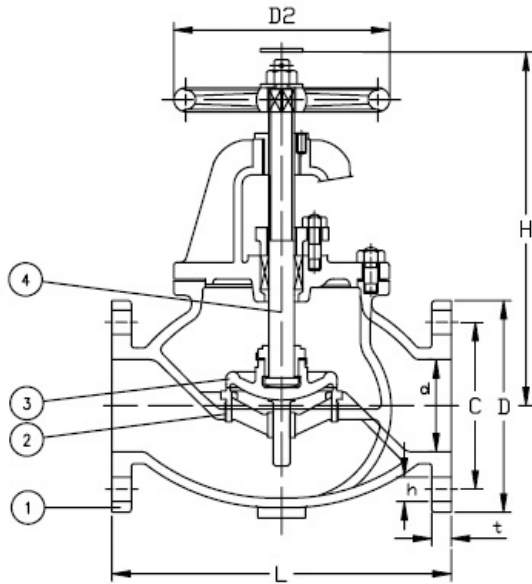




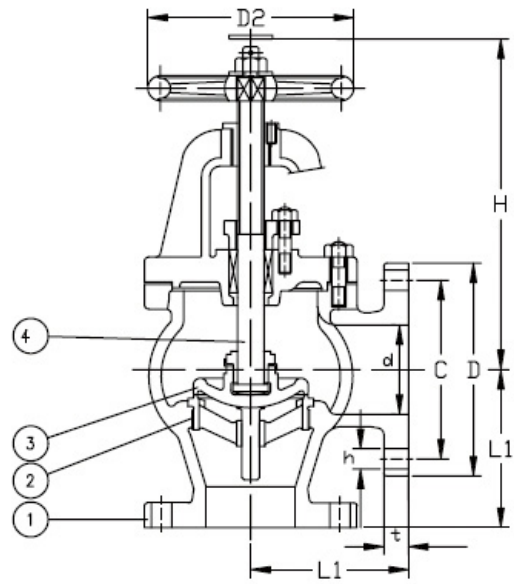
MARINE CAST STEEL 5K GLOBE VALVE - JIS F7311

MARINE CAST STEEL 5K ANGLE VALVE - JIS F7312

Manufactured in accordance to JIS F7400
Flanges as per JIS B2220 - 5K



<JIS F7311>



<JIS F7312>

No.	Component	Material
1	Body	Cast Steel
2	Seat	Stainless Steel
3	Disc	Stainless Steel
4	Stem	Stainless Steel

	Test Pressure MPa [kgf/cm ²]
Body	1.04 [10.5]
Seat	0.76 [7.7]

Size	F7311 - GLOBE									F7312 - ANGLE								
	L	D	C	No.	h	t	H	D2	Kg	L	D	C	No.	h	t	H	D2	Kg
50A	210	130	105	4	15	14	270	160	14.7	100	130	105	4	15	16	240	160	12.9
65A	250	155	130	4	15	14	300	180	21.3	115	155	130	4	15	18	250	180	18.2
80A	280	180	145	4	19	14	310	180	27.7	130	180	145	4	19	18	265	180	23.4
100A	340	200	165	8	19	16	360	224	40.8	150	200	165	8	19	20	310	224	33.7
125A	410	235	200	8	19	16	390	250	57.6	170	235	200	8	19	20	330	250	46.2
150A	480	265	230	8	19	18	445	280	80.3	190	265	230	8	19	22	380	280	63.4
200A	570	320	280	8	23	20	530	345	139	220	320	280	8	23	24	450	315	105
250A	740	385	345	12	23	22	791	355	230	275	385	345	12	23	26	540	355	176
300A	840	430	390	12	23	22	929	400	309	310	430	390	12	23	28	610	400	243
350A	940	480	435	12	25	24	-	500	600	360	480	435	12	25	30	690	500	327
400A	1050	540	495	16	25	24	-	580	701	395	540	495	16	25	30	770	630	459